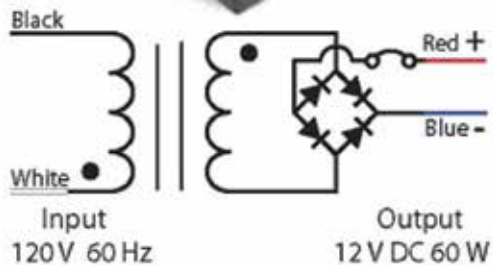


# LED Strip Lighting Power Supply

## Dimmable LED Strip Lighting Transformer



### Order Code

[ ETD1260 ]

### Specifications

Maximum Load: 60W  
 Input Voltage: 120V 60 Hz  
 Output Voltage Full Load: 12V min. 12V min. Boost  
 Input Current Full Load: 1.27A  
 Open Circuit Volts: 12V min. / 12V Boost  
 Open Circuit Current: 0.3A  
 Output Current Full Load: 6.2A max.  
 Efficiency: 91.50%  
 Coil Former: Double Section Bobbin  
 Thermal Class: B130°C  
 Leads Primary: PVC 600V #18  
 Leads Secondary: PVC 300V #12

### Transformer

Input leads are 20 AWG. Output leads are 14 AWG. Lead insulation is 105°C. The transformer uses a class B 130°C insulation system.

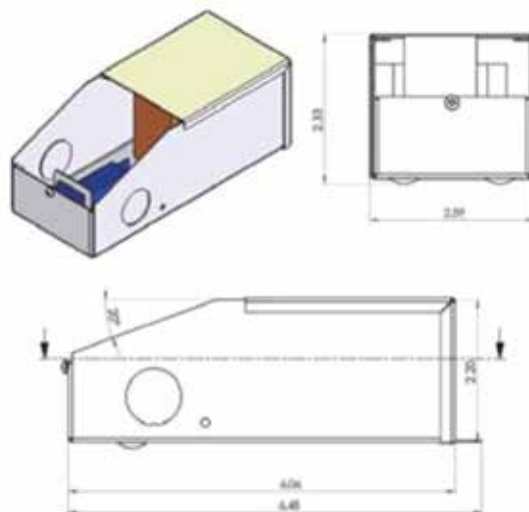
### Enclosure

Enclosure temperature will not exceed 70°C @ 40°C ambient. Wiring compartment has 2 knockouts sized for 3/4 inch screw cable connectors. The removable cover for the wiring compartment is secured in place by clips. The enclosure is black powder coated.

### General

- Automatic reset circuit breakers on the primary and secondary sides.
- Dimmable with all dimmers that provide a symmetrical form of current wave under any conditions.
- ETL listed
- CSA listed
- UL standard M300404
- NEMA 3R enclosure

### Dimensions



L- 6.06"  
 H-2.59"  
 W-2.20"  
 (inches)